

BRG BAS C

BRIGHT Tap Range Bright Basin Mixer Chrome



Features:

- Long life and easy to use 1/4 turn ceramic disc valves
- Metal fixing nut for added durability
- Flexible tails included
- Includes clicker waste
- Minimum working pressure of 0.3 bar

Product Certifications:



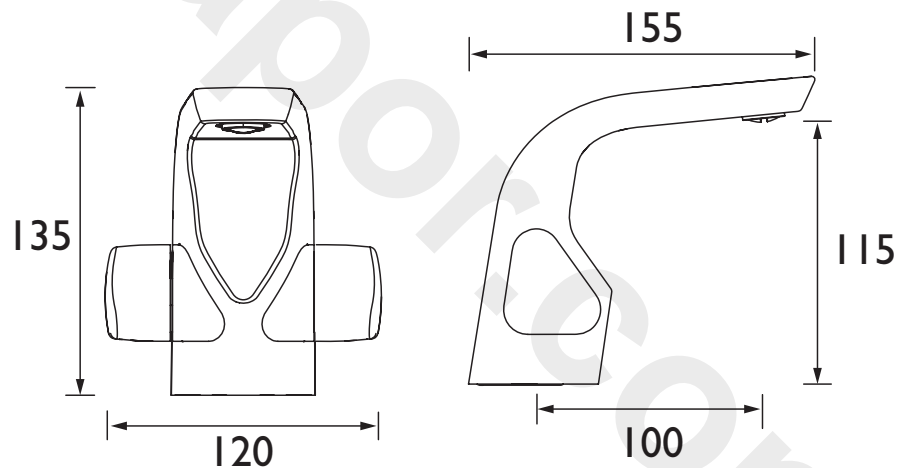
For more products, visit our website:
<http://www.bristan.com>



Specification

Product Type:	Bathroom Tap
Main Construction Material:	Brass
Mount Type:	Deck
Handle Type:	Round
Connection Inlet:	M10x15mm Compression Flexi Tails
Connection Outlet:	M24 Antisplash
Number of Tap Holes:	1
Valve/Cartridge Type:	1/4 Turn 1/2" Ceramic Disc Valve
Plumbing System Requirements:	Suitable for all plumbing systems
Minimum Dynamic Pressure (bar):	0.3 bar
Maximum Dynamic Pressure (bar):	5.0 bar
Maximum Hot Water Temperature °C:	65°C
Maximum Static Pressure (bar):	10 bar
Flow Type:	Single
Isolation Included:	No

Dimensions (measurements in mm)



Flow Rates (l/min)

System Pressure (bar)	0.3	0.5	1	2	3	5
BRG BAS C (mixed)	11.1	14.3	20.2	28.6	35	45.2

TECHNICAL DATA SHEET



BRISTAN

D8